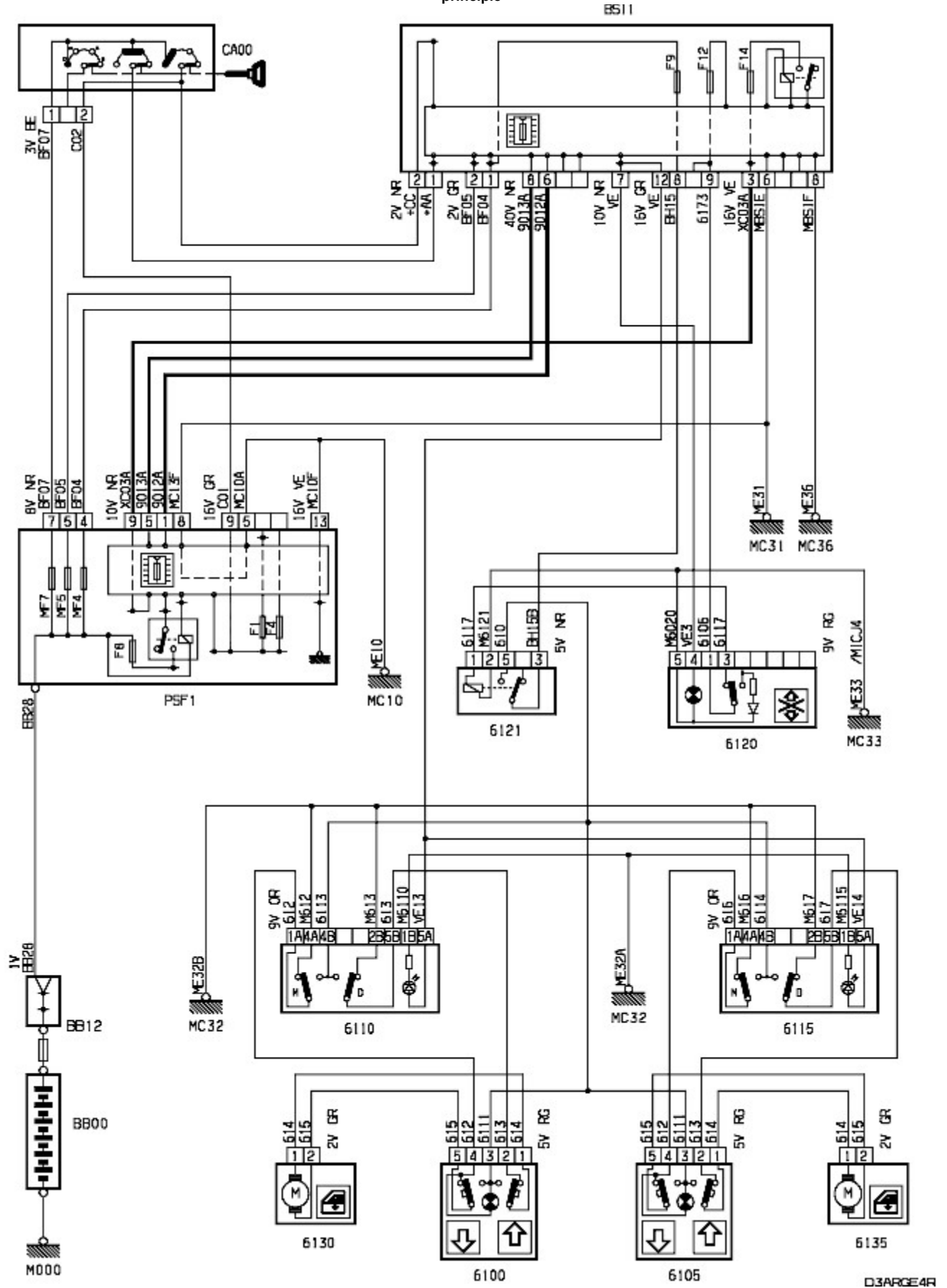


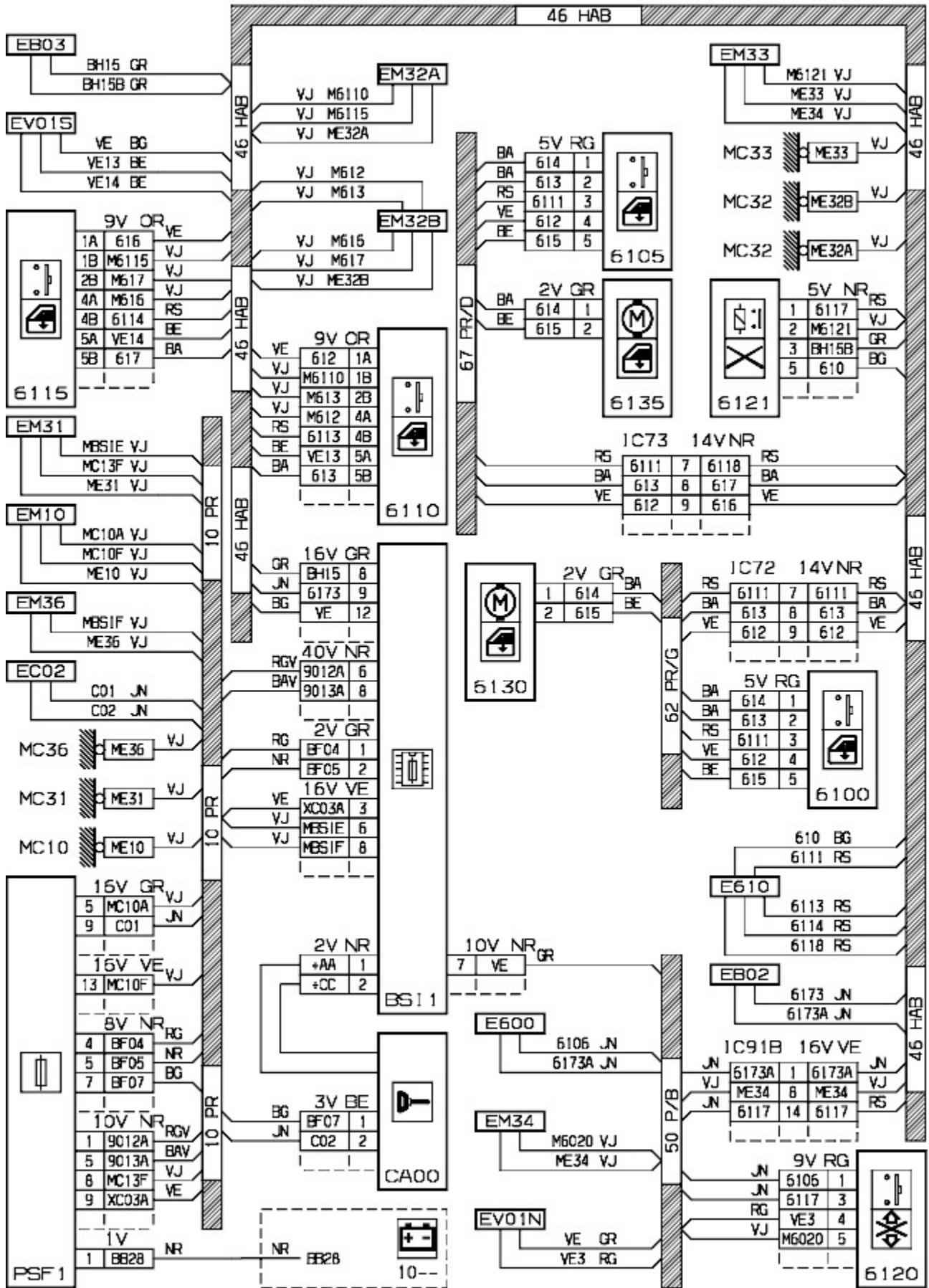
vehicle : XSARA PICASSO		OPR : 10690	
domain	protections and doors	function	rear electric window
component			

principle



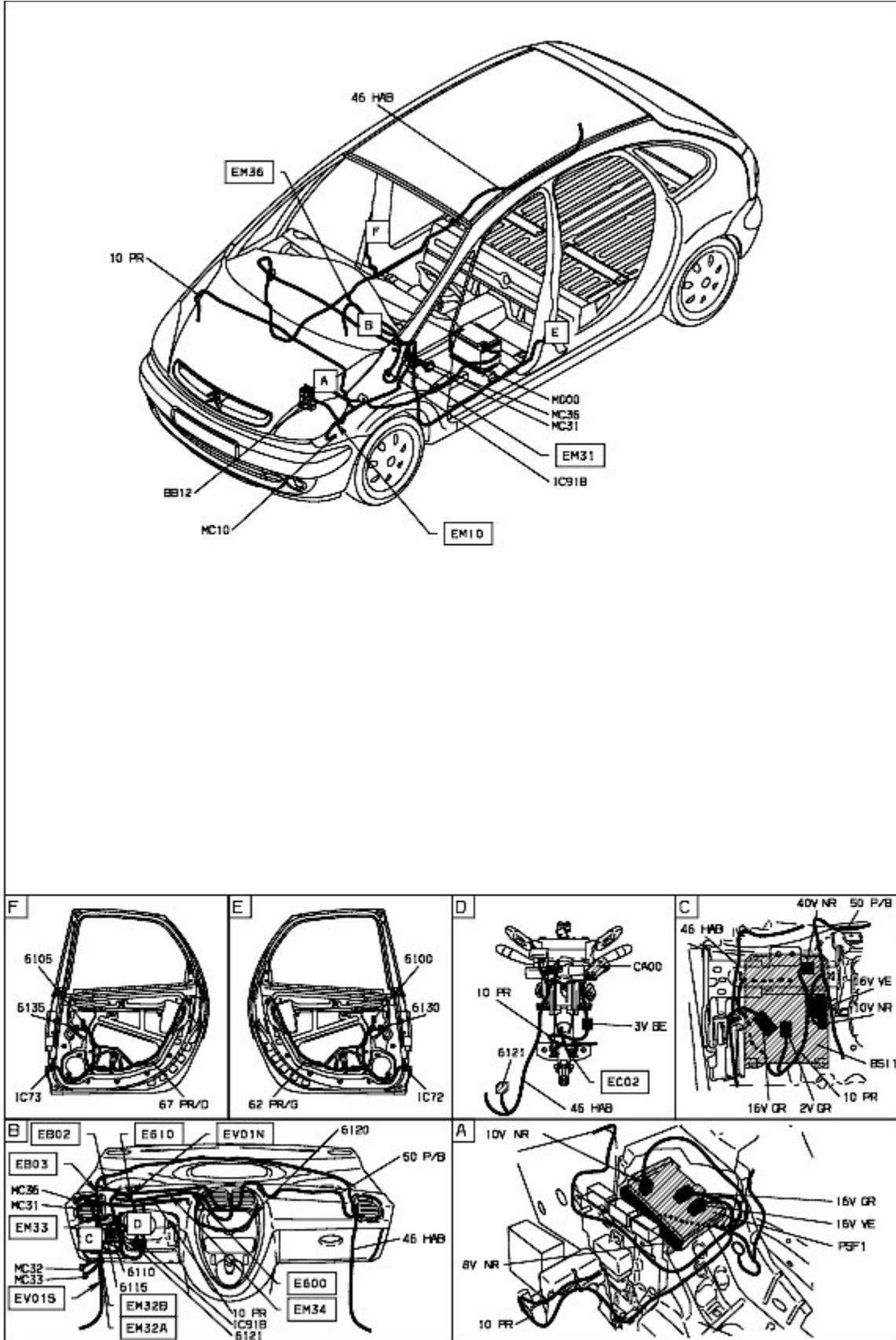
D3ARGE4R

wiring



D3ARGE4G

null



D3ARGE41